

4

3

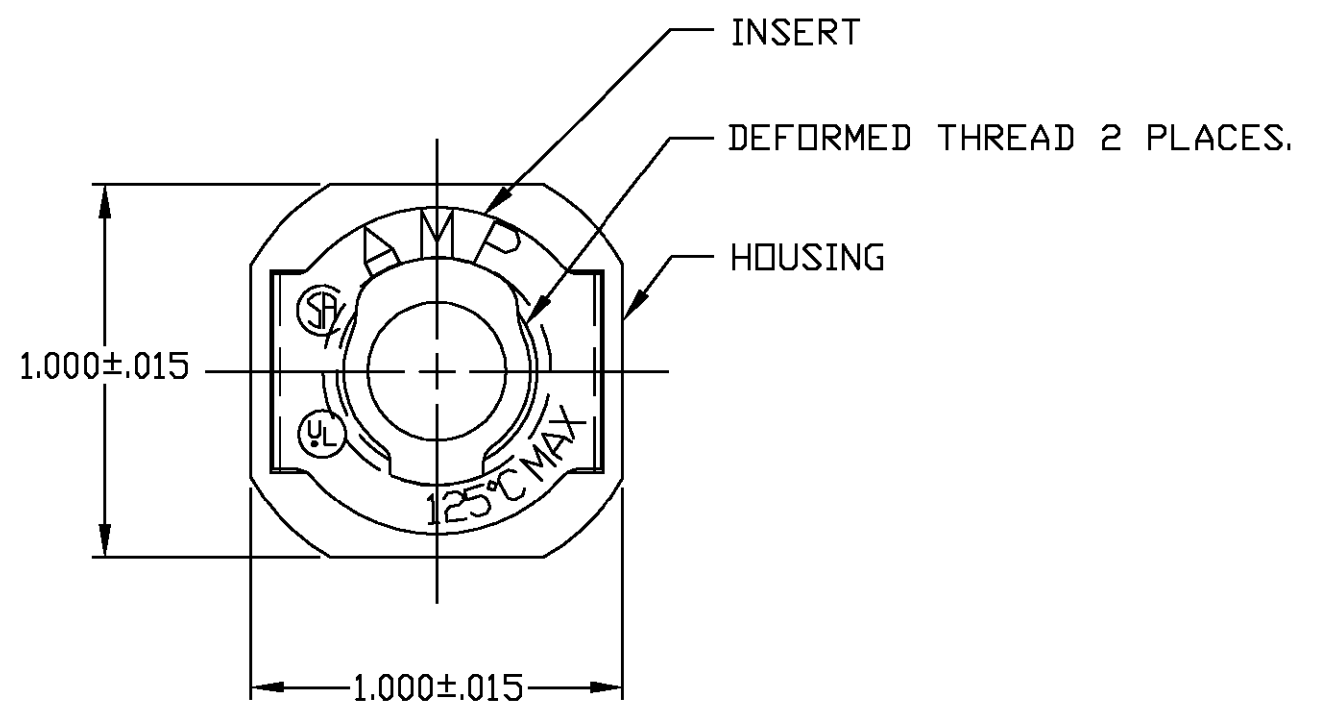
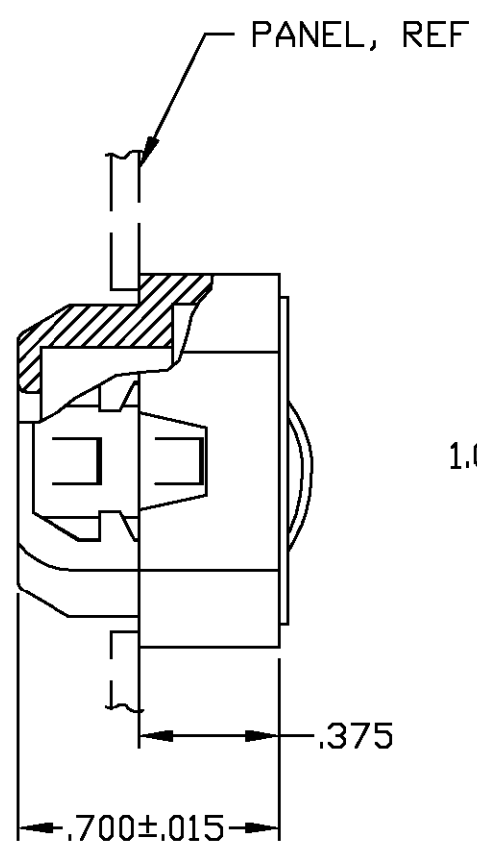
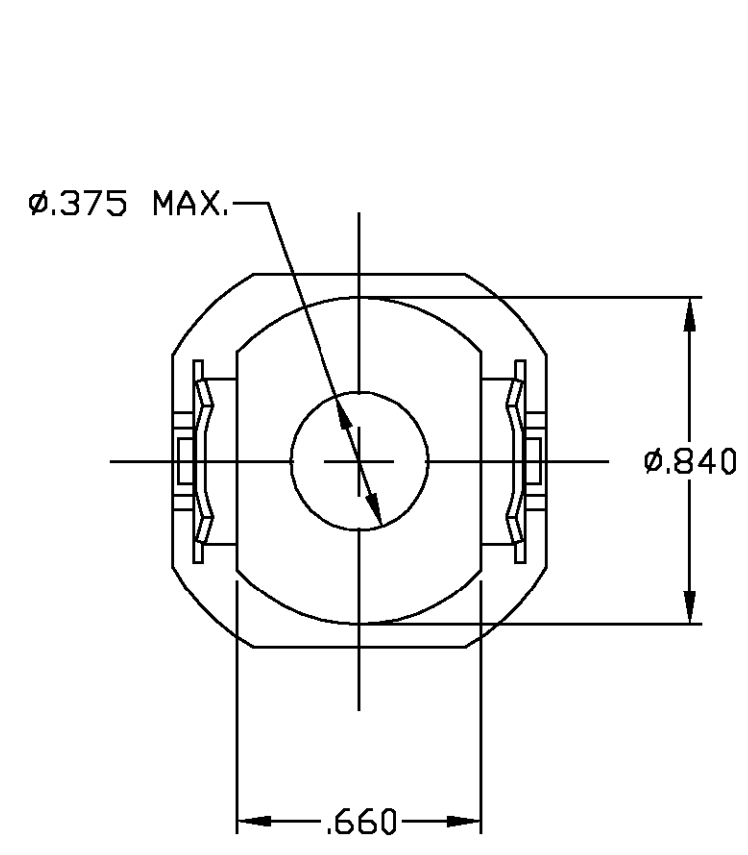
2

1

THIS DRAWING IS UNPUBLISHED. RELEASED FOR PUBLICATION .19  
 © COPYRIGHT 19 BY AMP INCORPORATED. ALL RIGHTS RESERVED.

LOC	DIST	REVISIONS			
P	LTR	DESCRIPTION	DATE	DWN	APVD
AA	27	G	REDWN & REV ECN 0B40-0141-00	23APR00	LMH/LHS

- 1. FITS STANDARD 1/2" KNOCKOUT .875 <sup>+0.031</sup> <sub>-.015</sub>
- 2. FITS PANEL THICKNESS .032 TO .091.
- 3. MATERIAL: HOUSING - NYLON, BLACK.  
INSERT - .025 THK STEEL, ZINC PLATED.



207370-1  
PART NUMBER

THIS DRAWING IS A CONTROLLED DOCUMENT.		DWN	06APR00	AMP Incorporated Harrisburg, PA 17105-3608
		CHK	23JUN00	
		APVD	23JUN00	
		PRODUCT SPEC		
DIMENSIONS: INCHES 		TOLERANCES UNLESS OTHERWISE SPECIFIED: 0 PLC ± 1 PLC ± 2 PLC ± 3 PLC ± .005 4 PLC ± ANGLES ±		NAME F. LINCOLN APPLICATION SPEC
MATERIAL		FINISH		SIZE A3
				CAGE CODE 00779
		WEIGHT CUSTOMER DRAWING		DRAWING NO C=207370
		SCALE 1:1		RESTRICTED TO
		SHEET 1 OF 1		REV G